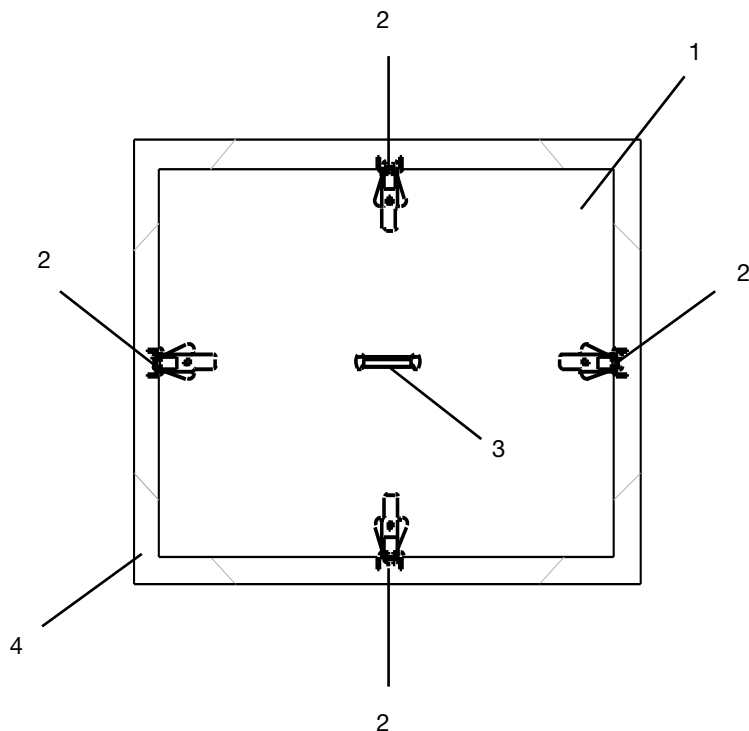


Lindab **Access door LKCR**

Mounting instruction

Access door

LKCR



- 1 Access door
- 2 Over-centre catches
- 3 Handle
- 4 Fixing frame

1. Release the door from the frame by opening the over-centre catches.
Note! Be careful not to damage the locking spring.
2. Use the fixing frame as a template and cut out a hole in the duct. On an insulated duct, cut the hole on top of the duct. (Fig. 1).
3. Apply a string of sealant around the hole and put the frame back. (Fig. 2).
4. Drill and fasten the frame with blind rivets. Do not use screws.
5. if the duct is insulated, the insulation cut section + 30 mm around the internal hole must be clad with steel.
6. Mount the door in the frame and lock it. (Fig. 3).

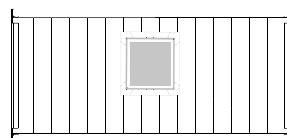


Fig. 1

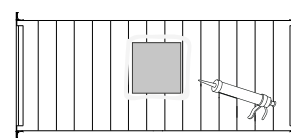


Fig. 2

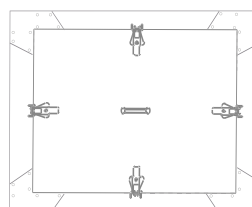


Fig. 3



Most of us spend the majority of our time indoors. Indoor climate is crucial to how we feel, how productive we are and if we stay healthy.

We at Lindab have therefore made it our most important objective to contribute to an indoor climate that improves people's lives. We do this by developing energy-efficient ventilation solutions and durable building products. We also aim to contribute to a better climate for our planet by working in a way that is sustainable for both people and the environment.

[Lindab | For a better climate](#)