



Lindab **GD**

Supply air nozzle



Supply air nozzle

GD



Description

GD is a rubber supply air nozzle suitable for ventilation of large areas where long throws are required. The nozzle can be adjusted for directional airflow, and can be installed directly into circular ducts, (min. Ø250 mm), or duct walls, (min. height = 100 mm). The nozzle can be used for both heated and cooled air.

- Directional airflow
- Long throws
- Simple installation

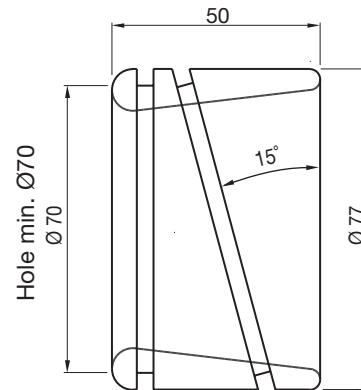
Maintenance

The visible parts of the diffuser can be wiped with a damp cloth.

Order code

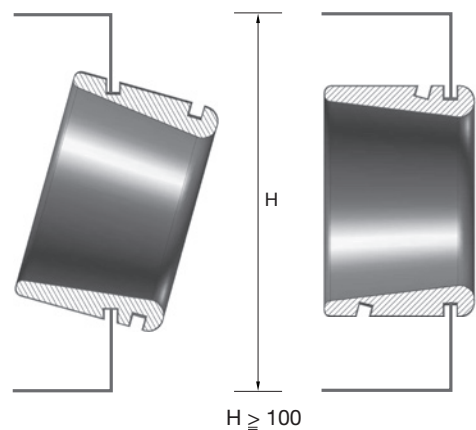
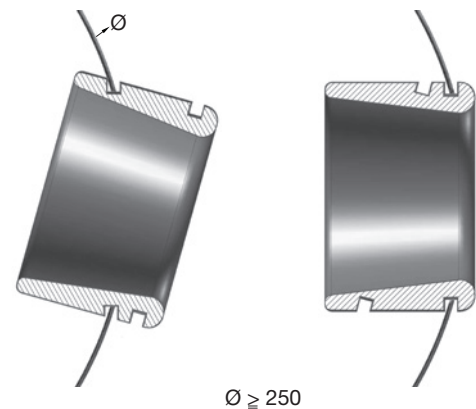
Product	GD	GDPROP
Type		
Accessories		
Afdækningsprop		

Dimensions



Free area: 0.0027 m²
 Straight groove: for rectangular duct.
 Oblique groove: for circular duct.

Mounted in duct



Materials and finish

Nozzle: EPDM rubber, hardness 60, black.

Supply air nozzle

GD

Technical data

Capacity

Volume flow q_v [l/s] and [m³/h], total pressure Δp_t [Pa], throw $l_{0.3}$ [m] and sound power level L_{WA} [dB(A)] can be seen in the diagrams.

Throw $l_{0.3}$

Throw $l_{0.3}$ can be seen in the diagrams for isothermal air at a terminal velocity of 0.3 m/s.

Resulting sound effect level

The sound effect level from the nozzles must be added logarithmically to the sound effect level from the flow noise in the duct. See sample calculation, section Nozzle calculations.

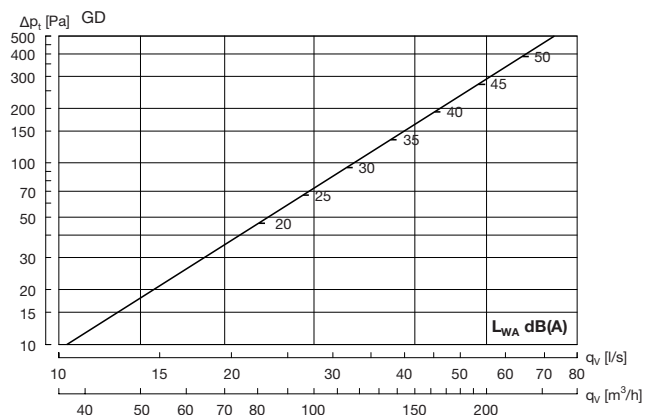
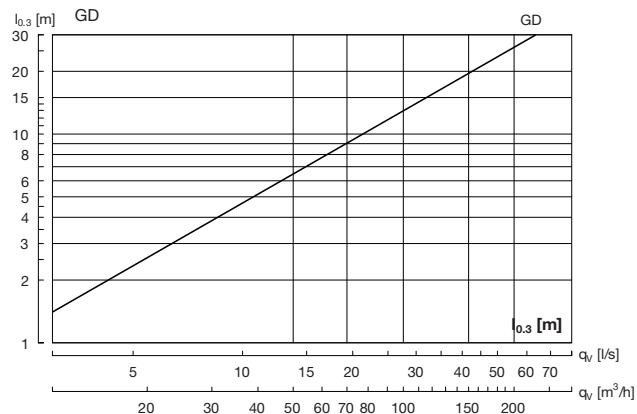
Frequency-related sound effect level

The sound effect level in the frequency band is defined as $L_{WA} + K_{ok}$. K_{ok} values are given in charts beneath the diagrams on the following pages.

Table

Size	Centre frequency Hz							
	63	125	250	500	1K	2K	4K	8K
GD	9	-2	0	1	-6	-14	-21	-25

Supply air



Supply air nozzle

Calculation

Resulting sound effect level

To calculate the resulting sound effect level from the nozzles, add the sound effect level from the nozzles (L_{WA} nozzle) and the sound effect level from the flow noise in the duct (L_{WA} duct) logarithmically.

Diagram 1, sound effect duct, L_{WA} duct.

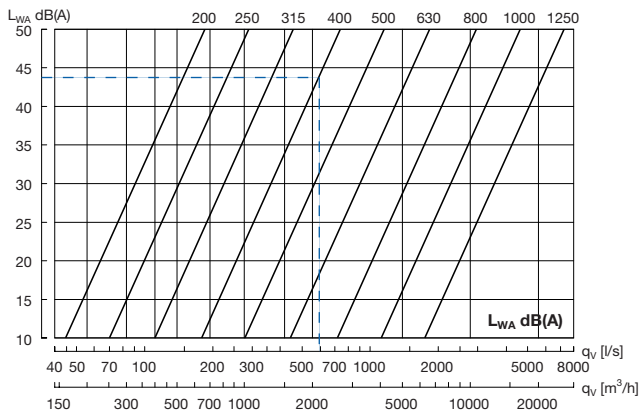
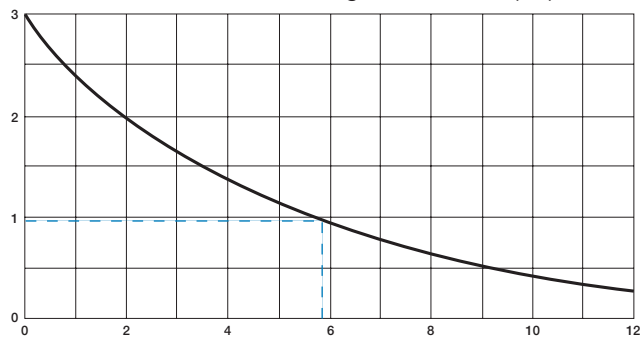
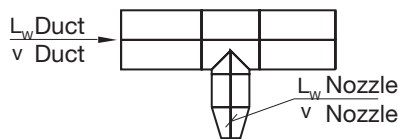


Diagram 2, addition of sound levels.

Difference to be added to the highest dB value (dB).



Difference between the dB values (dB).



Sample calculation:

LAD-200 $q = 100$ l/s
 ΔP_t nozzle 90 Pa

Duct size:

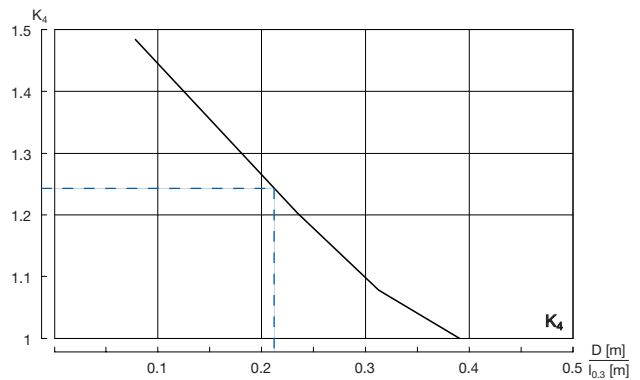
In order to achieve a sensible distribution of the air out to the nozzles without using a damper, it is recommended that the pressure loss in the nozzle be 3 times higher than the dynamic pressure in the duct system.

Selected duct dimension: \varnothing 400
 Number of nozzles at joint: 6
 Volume of air in the duct: $6 \times 100 = 600$ l/s
 L_{WA} duct (can be seen in diagram 1): 43 dB(A)
 L_{WA} nozzle (can be seen in product diagram): 37 dB(A)
 Difference between db values: 6 dB(A)
 Value to be added to the highest dB value (diagram 2): 1 dB(A)

Resulting sound effect level: 43+1=44 dB(A)

Extension of throw for two nozzles, positioned side by side:

If two nozzles are positioned next to each other, the air jets will be amplified, thereby extending the throw. To calculate this, use the diagram below, in which the distance between the nozzles is designated D. The calculation factor K_4 must be multiplied by the throw $l_{0,3}$. The throw is not extended further with more nozzles.



Sample calculation:

LAD-125. Distance D = 1.5 metres.

Volume of air: $q = 15$ l/s

Diagram throw under selected nozzle

Specified throw: $l_{0,3} = 7$ m
 D [m] / $l_{0,3}$ [m]: $1.5 / 7 = 0.21$

K_4 calculation factor

Can be seen in the diagram: $K_4 = 1.25$

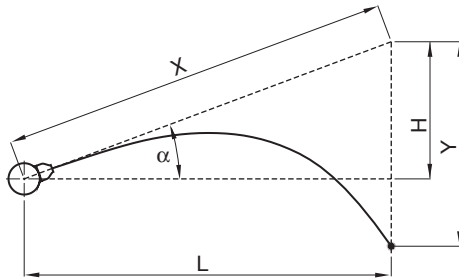
Resulting throw

$K_4 \times l_{0,3} = 1.25 \times 7 \text{ m} = 8.75 \text{ m}$

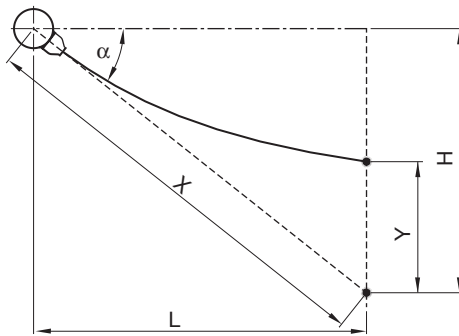
Supply air nozzle

Calculation

Supply air with cooled air



Supply air with heated air



$$X = \frac{L}{\cos \alpha} = \frac{H}{\sin \alpha}$$

$$H = L \times \tan \alpha$$

Terminal velocity V_x :

$$v_x = K_1 \times \frac{q}{X}$$

Deflection Y:

$$Y = K_2 \times \frac{X^3}{q^2} \times \Delta t$$

Sample calculation: Cooled air

LAD-200: $q = 400 \text{ m}^3/\text{h}$
 $\Delta t = 6\text{K } \alpha = 30^\circ$

Final velocity $v_x = 0.3 \text{ m/s}$

$$v_x = K_1 \times \frac{q}{X}$$

$$X = K_1 \times \frac{q}{v_x} = 0.020 \times \frac{400}{0.3} = 27 \text{ m}$$

$$Y = K_2 \times \frac{X^3}{q^2} \times \Delta t = 24 \times \frac{27^3}{400^2} \times 6 = 17.7 \text{ m}$$

$$H = X \times \sin \alpha = 27 \times 0.5 = 13.5 \text{ m}$$

$$L = X \times \cos \alpha = 27 \times 0.87 = 23.4 \text{ m}$$

Sample calculation: Heated air

LAD-200: $q = 400 \text{ m}^3/\text{h}$
 $\Delta t = 6\text{K } \alpha = 60^\circ$

Final velocity $v_x = 0.3 \text{ m/s}$

$$X = K_1 \times \frac{q}{v_x} = 0.020 \times \frac{400}{0.3} = 27 \text{ m}$$

$$Y = K_2 \times \frac{X^3}{q^2} \times \Delta t = 24 \times \frac{27^3}{400^2} \times 6 = 17.7 \text{ m}$$

$$H = X \times \sin \alpha = 27 \times 0.87 = 23.4 \text{ m}$$

$$L = X \times \cos \alpha = 27 \times 0.5 = 13.5 \text{ m}$$



Most of us spend the majority of our time indoors. Indoor climate is crucial to how we feel, how productive we are and if we stay healthy.

We at Lindab have therefore made it our most important objective to contribute to an indoor climate that improves people's lives. We do this by developing energy-efficient ventilation solutions and durable building products. We also aim to contribute to a better climate for our planet by working in a way that is sustainable for both people and the environment.

[Lindab](#) | For a better climate