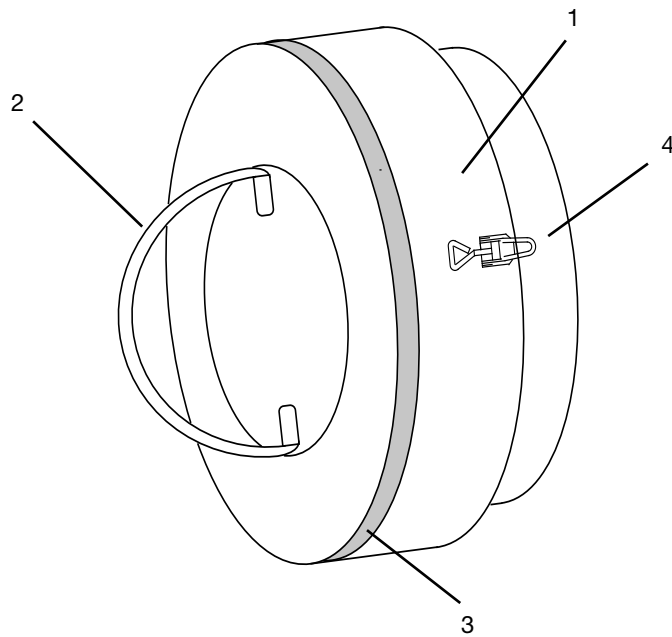


# Access door

## KCU, KCIVU



- 1 Access door
- 2 Handle
- 3 Insulation
- 4 Eccentric locks  
(dimensions Ø400 and bigger)

1. Align the access door with the fitting.
2. Holding the handle of the access door, push and turn into the fitting (Fig. 1).
3. For dimensions Ø400 and bigger: Mount the hooks for the eccentric locks to the fitting (Fig. 2).
4. Lock the two eccentric locks.

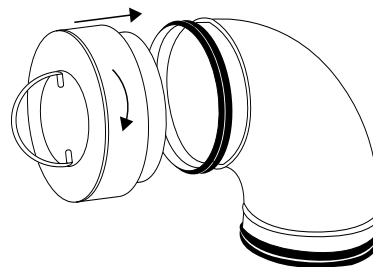


Fig. 1

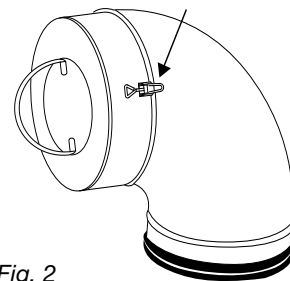


Fig. 2