

Circular suspension

DRSNR



Description

For suspension of circular ducting.
With vibration-damping internal plastic lining.

Ø63–400

With slotted quick closure.
With screw M6×20 and head: hex 1/4" and PH2.
Combined connection nut M8/M10.

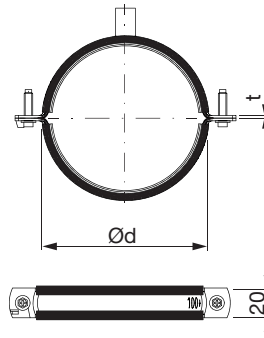


Ø450–1250

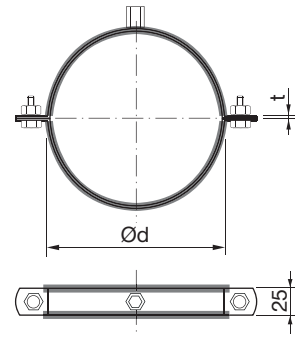
With Ø 10 hole.
With bolt and nut H17 M10×30.
Combined connection nut M8/M10.

Dimensions

Ø63–400



Ø450–1250



Ød nom	t [mm]	m [kg]
63	1,5	0,14
80	1,5	0,17
100	1,5	0,19
125	1,5	0,23
140	1,5	0,25
150	1,5	0,26
160	1,5	0,27
180	1,5	0,30
200	1,5	0,32
224	1,5	0,35
250	1,5	0,43
280	1,5	0,47
300	1,5	0,50
315	1,5	0,52
355	1,5	0,59
400	1,5	0,65
450	2,5	1,03
500	2,5	1,13
560	2,5	1,25
600	2,5	1,30
630	2,5	1,40
710	2,5	1,70
800	2,5	1,80
900	2,5	2,00
1000	2,5	2,20
1120	2,5	2,40
1250	2,5	2,70

Ordering example

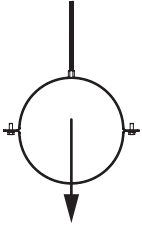
Product	DRSNR	250
Dimension Ød		

Circular suspension

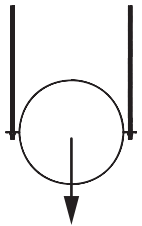
DRSNR

Technical data

Max recommended load for different fire classes.



Installation	Ventilation system					Smoke control system
	R0 no fire class kg	R15 kg	R30 kg	R45 kg	R60 kg	
Dim						600 °C 120 min. kg
63-600	65	-	-	-	-	-
630-1250	65	-	-	-	-	-



Installation	Ventilation system					Smoke control system
	R0 no fire class kg	R15 kg	R30 kg	R45 kg	R60 kg	
Dim						600 °C 120 min. kg
450-1250	160	-	-	-	-	-